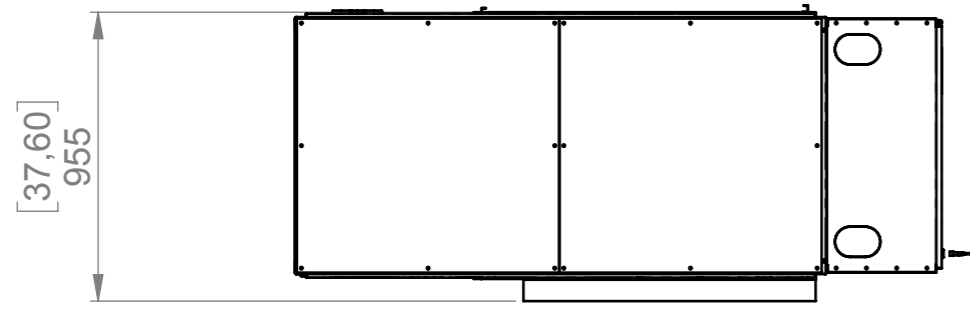
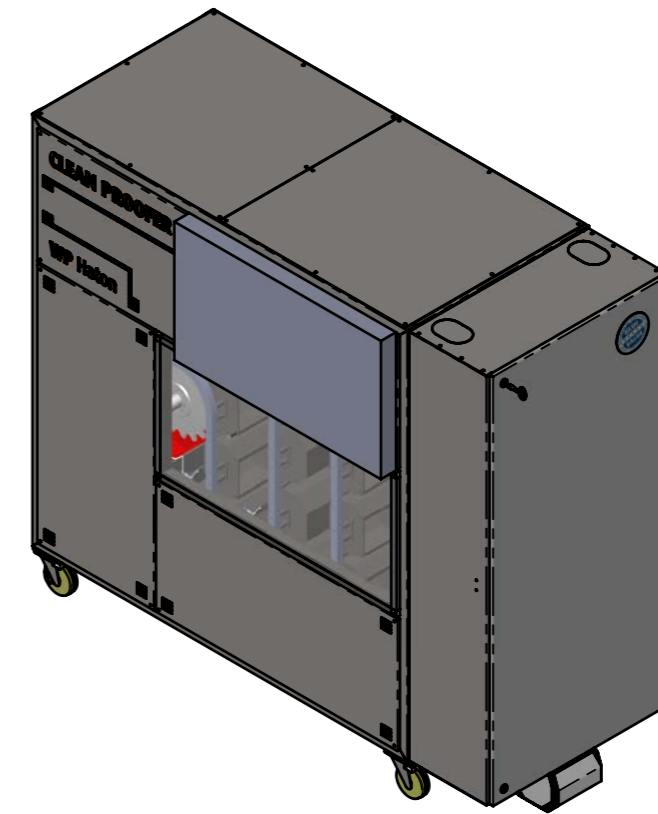
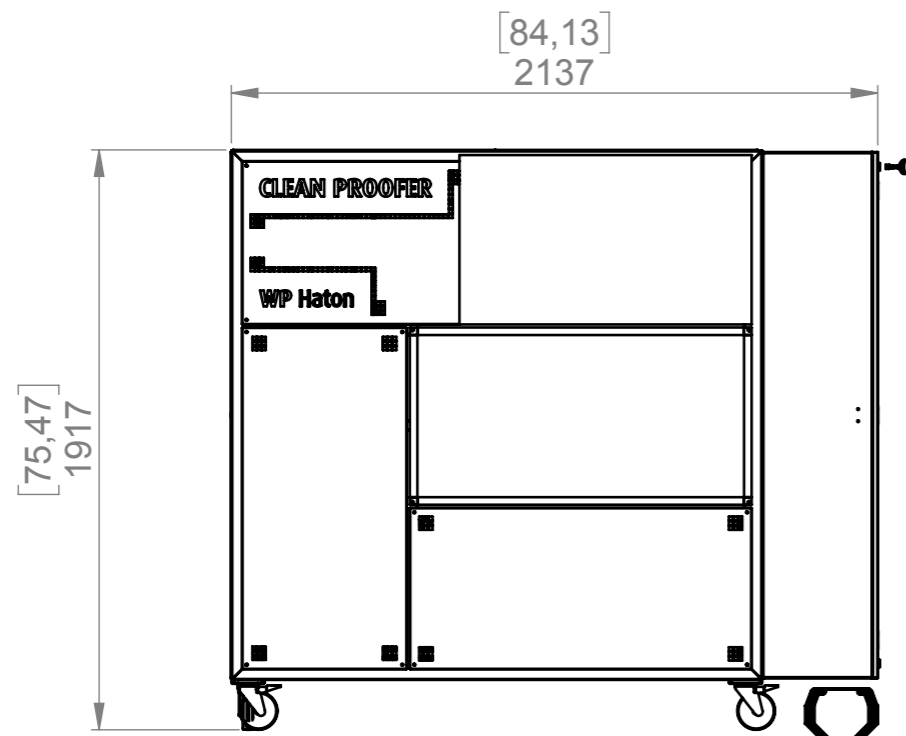


Rev.	Wijziging_no	Description	Approved By	Date



Elektrical connection

**E: 230/400V 3PH-50hz-earth-neutral
2.5KVA**



WP BAKERY GROUP USA
2 Trap Falls Road, Suite 105, Shelton, CT 06484 // Phone: 203-929-6530 // Fax: 203-929-7089
www.wpbakerygroupusa.com // info@wpbakerygroupusa.com

Description: Pam-assy Clean Proof IBA 2018			
	Customer:		Projection
	CreatedBy	pkessel	
	CreationDate	13-07-2018	
	LastModifiedBy	rvdlaar	Scale 1:25
LastModifiedDate	04-02-2019	Order / Offerte	Sheet 1 / 1
ProjectAccountManager		No: HME0001046	
THIS PRINT IS PROPERTY OF WP-HATON BV., SUBJECT TO RETURN ON DEMAND, AND IS LOANED WITH THE UNDERSTANDING THAT IT IS NOT TO BE USED, DIRECTLY OR INDIRECTLY, IN ANY WAY DETRIMENTAL TO THE INTERESTS OF WP-HATON BV.		Revision:	NEW A 3